



## Modules

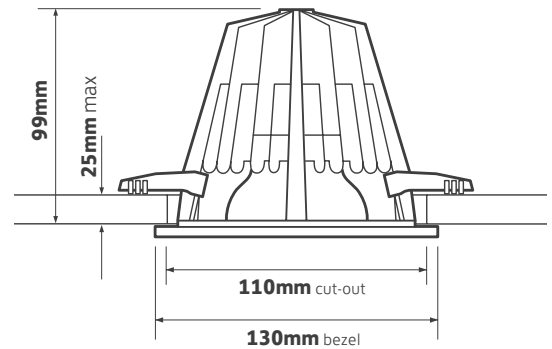


Fortimo SLM

## Features

- ▶ Multi-faceted reflector with an outstanding DLOR of 92%
- ▶ Die-cast twist and lock bezel with interchangeable accessories
- ▶ Matched with Philips Xitanium drivers for optimum performance
- ▶ Height under 100mm using optimised passive thermodynamics
- ▶ Excellent efficacy to aid Part L compliance

## Technical Drawing



## Ordering Information

Model Ref.	Module Options		Control Gear Options	
	Lumen Output (lm)	Colour Temp (K)	/MDIM	/T+DALI
<b>78.801</b>	800	3000	●	●
<b>78.802</b>	800	4000	●	●
<b>78.1101</b>	1100	3000	●	●
<b>78.1102</b>	1100	4000	●	●
<b>78.2001</b>	2000	3000	●	●
<b>78.2002</b>	2000	4000	●	●
<b>78.3001</b>	3000	3000	●	●
<b>78.3002</b>	3000	4000	●	●

## Options

Please select from the options below.

<b>TA200/WH</b>	White bezel
<b>TA200/CH</b>	Chrome bezel
<b>TA200/BA</b>	Brushed aluminium bezel
<b>/SPC</b>	Single Point Connection to ILEM
<b>Emergency</b>	Please see ILEM datasheet
<b>Accessories</b>	Please see accessories sheet

